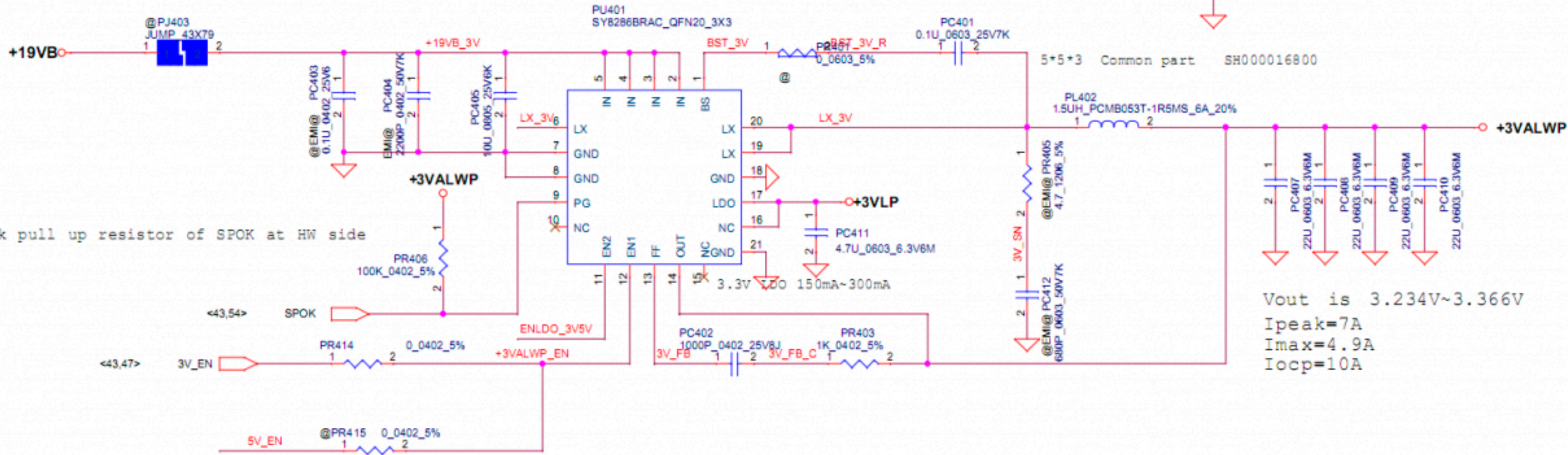


EN1 and EN2 dont't floating



Check pull up resistor of SPOK at HW side

Vout is 3.234V~3.366V
 I_{peak}=7A
 I_{max}=4.9A
 I_{ocp}=10A